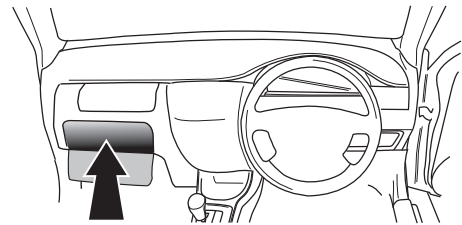


! INFO !

Do not charge the battery of the towing vehicle and/or towed vehicle directly via the socket.



User guide



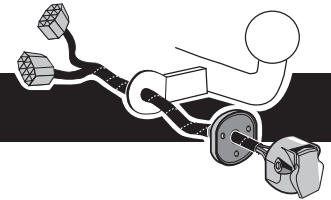
SPARE PARTS

www.ecs-electronicsuk.co.uk

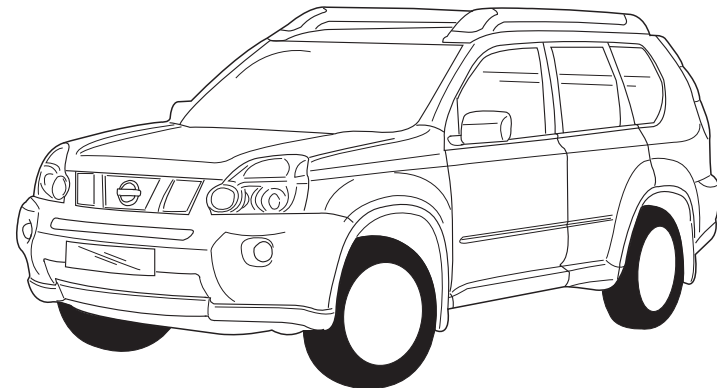
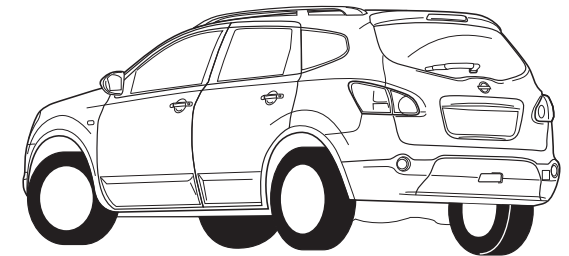


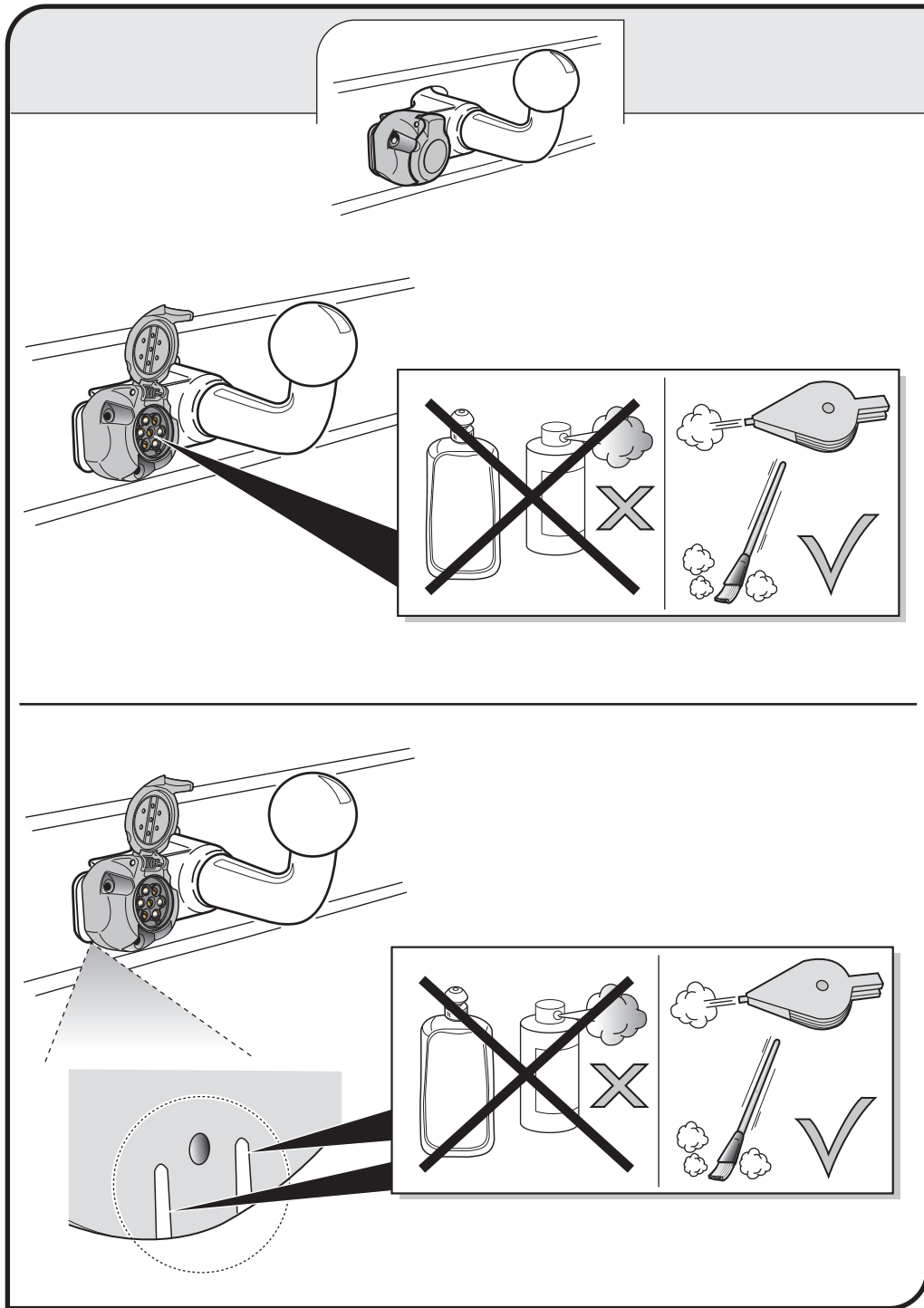
Partnr.: NI-041-BHU

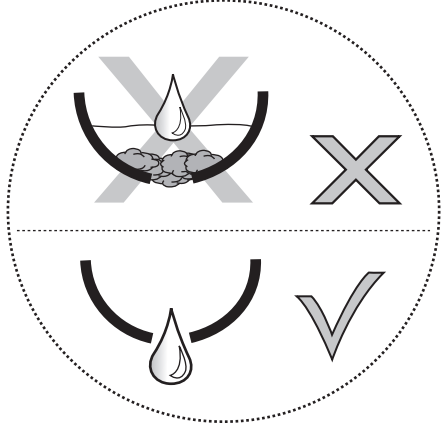
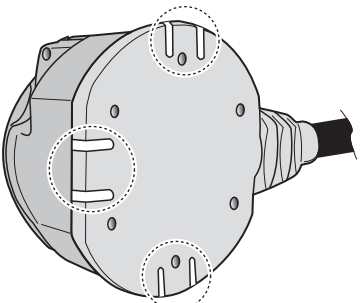
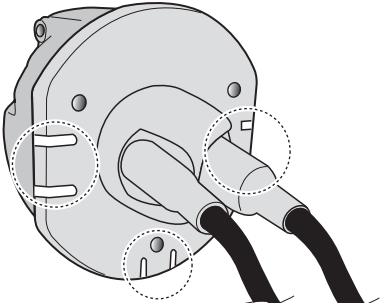
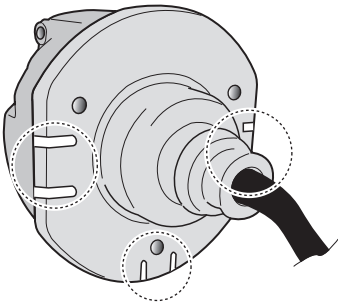
User Guide



**Nissan X-trail 10/2007-
Nissan Qashqai 2007- /
Nissan Qashqai+2 2008-**





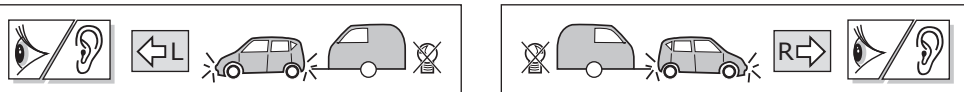


SOCKET CONNECTION

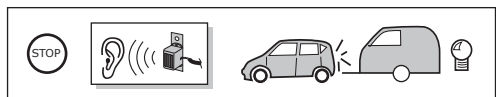
DIN/ISO 1724							
	1/L	2	3/31	4/R	5/58-R	6/54	7/58-L
Pmax	21W	2x21W		21W	52W	3x21W	52W
Colour	Yellow	Blue	White	Green	Brown	Red	Black



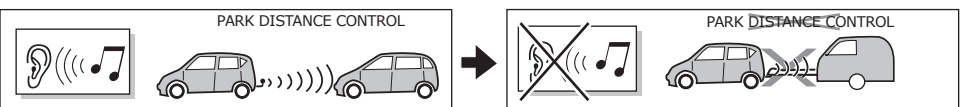
In a coupled trailer with working fog lamp, the fog lamp of the vehicle will be switched off, if applicable.



The flashing lights on the trailer are monitored by the 5C028 module. If one of the flashing lights of the trailer is defective, a buzzer is heard in synch with the flashing lights of the vehicle. Check the flashing lights on the trailer.



The brake lights on the trailer are monitored by the 5C028 module. If all the brake lights on the trailer are defective, a buzzer is heard upon braking. Check the brake lights on the trailer.



The wiring kit has a possibility to switch off any Park Distance Control in the case of a coupled trailer.